

# Accessories

## Mounting accessories

### Z 119.050



#### Features

- For low-dynamic applications and constant movements

#### Description

Fix spring coupling onto flange by help of the attached screws. Push encoder onto the drive shaft and mount torque support onto the contact surface.

#### Part number

Z 119.050 Spring coupling

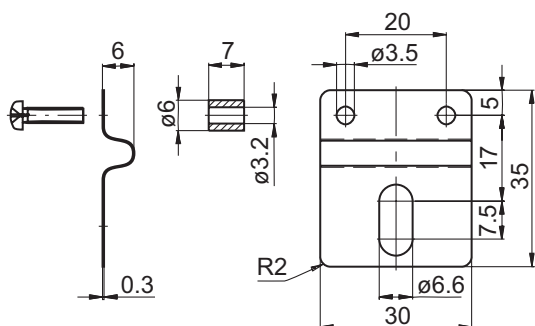
#### Scope of delivery

Included: spring coupling, two screws M3 x 12 with two spacer sleeves

#### Suitable for

G0A2H, G0AMH, G0L2H, G0LMH, G0M2H, G0MMH, G0P5H, G1I0H, G1I0S, G1M2H, G1MMH, G2M2H, G2MMH, GBA2H, GBA2S, GBAMH, GBAMS, GBMMH, GBMMS, GBP5H, GEMMH, GXA2S, GXAMS, GXL2S, GXLMS, GXM2S, GXM7S, GXMMS, GXP5S

#### Dimensions



#### Dimension

