



ELECTRIC CABINET HEATER WITH INTEGRATED THERMOSTAT

- ceramic heating elements
- low surface temperature
- plug`n`play
- no need of an external controller

Type: Lm-therm

Power range: 30W – 90W
 Voltage range: 12V – 400V

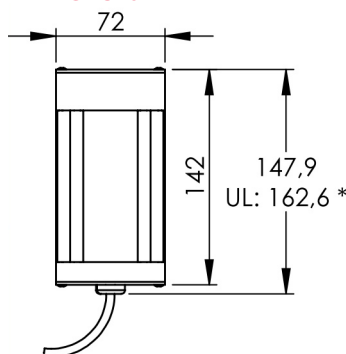


Technical data

	DESCRIPTION	ORDER INDEX
Kind of protection	IP30 / IP20 with DK	IP30 or IP20
Protection class	PC I	-
Operation- / storage temperature	-40 – +70 °C	-
Surface temperature (at 20°C surrounding temperature)	according to temperature setting (see switch-off temperature)	-
Wiring cable	0,50m 3x0,75mm ² *	exact specification
Heating element	ceramic heating elements	-
Mounting	snap-mounting for 35mm DIN-rail	SPS
	screw-mounting (horizontal or vertical)	SRW or SRS
Connection	wiring cable 3x0,75 mm ²	AL
	plug-in terminal 0,08 - 2,5mm ²	DK
Temperature settings (intrinsic temperature)	standard: < 25°C On / 60°C Off	ST
	tropic: < 35°C On / 70°C Off	T
	high tropic: < 50°C On / 80°C Off	HT
	anti-freeze: < 10°C On / 60°C Off	F
Mounting position	vertical	-
Special voltages	12V AC or DC, 24V AC or DC, 48V AC or DC, 115V, 400V	exact specification
UL-license	UL-File: E-317613	UL

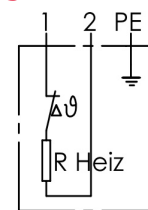
* variable length is possible

Dimension



* with cable gland instead of cable entry point

Wiring diagram



U	bn (1)	bl (2)	gn/ge (3)
<= 48V DC	+	-	
<= 48V AC	~	~	
>= 115V AC	L1	N (L2)	PE

Standard versions

ORDER-NO.	VOLTAGE	POWER	OPERA.CURRENT	INRUSH CURRENT	WEIGHT	DIMENSIONS	CONNECTION	MOUNTING	TEMPERATURE SETTING
23033AL0	230V / 50/60Hz	30W	0,13A	0,13A	350g	147,9x72x52mm	cable 0,50m	snap	<25°C On / 60°C Off
23055AL0	230V / 50/60Hz	55W	0,24A	0,24A	350g	147,9x72x52mm	cable 0,50m	snap	<25°C On / 60°C Off
23090AL0	230V / 50/60Hz	90W	0,39A	0,39A	350g	147,9x72x52mm	cable 0,50m	snap	<25°C On / 60°C Off

The information described on this data sheet contains descriptions or characteristics, which could not apply in the described way in the concrete case. The information of the products can also change in the course of development. The desired characteristics are only binding in the case that they have been explicitly agreed with a contract conclusion. Delivery possibilities and technical changes reserved.

The mentioned technical data have been determined under labor conditions by universal test instructions. Only insofar characteristics are ensured. The test for the suitability for the intended use scheduled by the purchaser is incumbent on the purchaser; we do not take warranty for that. Errors reserved. Status: 04/2018