

Messen
Prüfen
Kontrollieren
Sortieren
Positionieren
Vollständigkeitskontrolle
Vorhandenseinskontrolle
Oberflächeninspektion
Teileprüfung
Werkzeugvoreinstellung
3D Sehen
3D Erkennung
Robot Vision
Markierungskontrolle
Koplanarität
BGA-Prüfung
Konturprüfung
Fehler- und Verschmutzungserkennung
OCR / OCV
Zeichenerkennung
Code Lesen
Faden- und Stoffprüfung
Papier- und Folienprüfung
Metallprüfung
Displayprüfung LCD, LED, OLED
Mustervergleich
Blasenkontrolle
Robotersteuerung
Bohrer Vermessung
Thermografie
Plastik-Inspektion
2D
und vieles mehr...

Product data:

EyeCheck 4000



Description:

The combination of EyeVision software and the latest cameras of the EyeCheck 4000 series enables the user to efficiently solve image processing applications.

The smart camera contains freely programmable FPGA and high computing power.

Additionally they contain the EyeVision image processing software, with its drag-and-drop programming for an extremely user friendly handling – even without programming skills difficult tasks can be solved.

For more information have a look at our website or contact us:
+49 (0) 721 668 004 23 0

www.evt-web.com

Technical Data

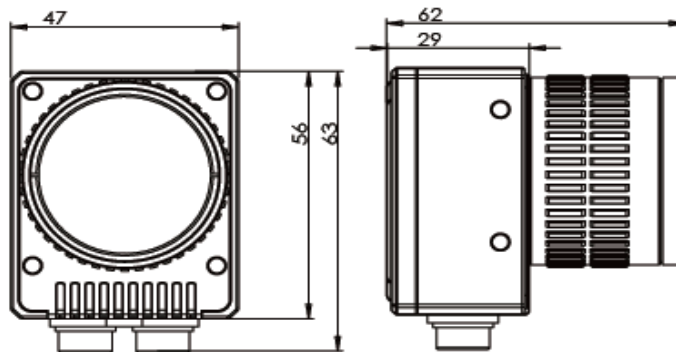
CPU	800MHz / 1GHz Dual Core ARM CORTEX A9
Operating System	Linux
Memory:	
DDR3	512 MB, 1 GB
FLASH	4 GB, 8 GB, 16 GB
Connections:	
	Ethernet 10/100 MBit – 1 GB
	CAN / RS485
Digital I/Os	10 programmierbare I/O
Protection class	IP65
Power consumption	4 W
Power supply	9~ 30 VDC
Material	Metall
Mount	C-Mount, S-Mount
Weight without lens	approx. 120 g
Dimensions without lens (W x H x L)	64 x 47 x 29 mm

Model	Resolution	Sensor	Frame Rate	Mono / Color
EC4000	640 x 480	1/3" CMOS	60	Mono
EC4000C	640 x 480	1/3" CMOS	60	Color
EC4050	752 x 480	1/3" CMOS	60	Mono
EC4050C	752 x 480	1/3" CMOS	60	Color
EC4200	1280 x 960	1/3" CMOS	60	Mono
EC4200C	1280 x 960	1/3" CMOS	60	Color
EC4600	2592 x 1944	2/3" CMOS	30	Mono
EC4600C	2592 x 1944	2/3" CMOS	30	Color
EC4600L	4096 x 1	2/3" CMOS	10000	

Software

Operating system: Linux	Support EyeVision Software
Applications: - Industrial image processing: OCR, bar code, DMC, etc. - supervision and surveillance - Automation - bio science and medical applications	Interfaces: Mono for .NET applikationen, Webserver for remote access and MMI

Dimensions



Further products:

- EyeVision image processing software for Smart Cameras, Vision Sensors and PC
- EyeCheck 9xx & 1xxx Smart Cameras
- EyeSens Vision Sensors
- EyeScan 3D cameras