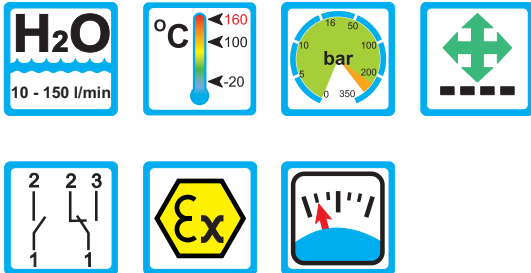


Flow Monitor Flow Indicator

RVM/UA-1



Range of Application

Operation

- Float measuring principle

Application

- Mechanical engineering
- Medicine technology
- Pharma industry
- Chemical industry
- Research and development
- Cooling systems and cooling circuits

Features

- Universal orientation
- High reliability
- High switch accuracy
- Infinitely variable switchpoint adjustment through user
- EX-version to ATEX available
- High pressure resistance
- Threaded connection, special threads on request

Installation hints

- The operating instructions for RVM/UA must be observed!
- Download: www.meister-flow.com

Operating Data

Operating pressure max.	250 bar (Brass) 300 bar (Stainless Steel)
Pressure drop	0,02 - 0,4 bar
Maximum temperature	100 °C (optional 160 °C)
Accuracy	±10 % of full scale

Measuring Ranges

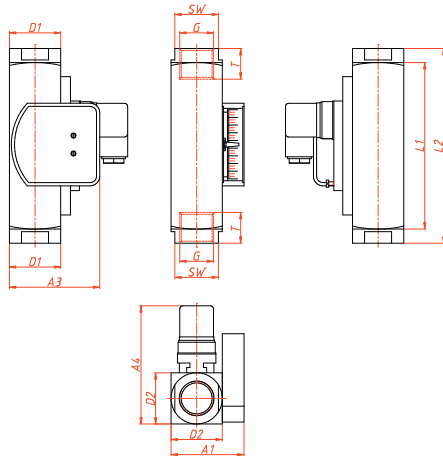
Type	Flow ranges for H ₂ O at 20 °C ⁽¹⁾		
	[l/min]	[gph]	[gpm]
RVM/UA-1/30	10 - 30	160,0 - 480,0	
RVM/UA-1/45	15 - 45	240,0 - 710,0	
RVM/UA-1/60	20 - 60	320,0 - 950,0	
RVM/UA-1/90	30 - 90		8,0 - 24,0
RVM/UA-1/150	60 - 150		16,0 - 40,0

⁽¹⁾ The specified data are switch-off points, other switch ranges on request.

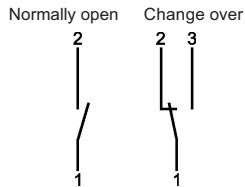


Technical Data

Mechanical drawing



Connection diagram



Electrical Data

Change over	250V • 1,5A • 50VA ⁽²⁾
Normally open	250V • 3A • 100VA

ATEX II 2 G Ex mb II T6 & ATEX II 2 D Ex tD A21 IP67 T80 °C
ATEX II 2 G Ex mb II T5 & ATEX II 2 D Ex tD A21 IP67 T100 °C

Change over	250V • 1A • 30VA
Normally open	250V • 2A • 60VA

Change over M 12x1 (-20 °C - 85 °C)	250V • 1,5A • 50VA ⁽²⁾
Normally open M 12x1 (-20 °C - 85 °C)	250V • 3A • 100VA

Change over SPS	250V • 1A • 60VA
------------------------	------------------

Ingress Protection:

IP65: plug connection DIN 43650 Form A

IP67: 1 m sealed in cable, (with EEx-version 2 m)
 or plug connection M 12x1

Output Signal

The contact opens / changes when the flow decreases below the set point.

Power supply

Not required (potentialfree reed contacts)

Plug types

Other plug types or cable lengths on request

⁽²⁾ Minimum load 3 VA

Summary of types

Type:	Overall dimensions [mm]											Weight approx. [g]	
	SW	L1	L2	D1	G	T	D2	DN	A1	A2	A3		A4
RVM/UA-1/30	34	130	152	40	*3/4"	15	40 / 40	20	57	-	70,5	approx.	1430
RVM/UA-1/45	40	130	130	40	1"	17	40 / 40	25	57	-	70,5	93	1250
RVM/UA-1/60	40	130	130	40	1"	17	40 / 40	25	57	-	70,5	approx.	1250
RVM/UA-1/90												93	
RVM/UA-1/150													

* With fittings

Material

Brass version

Wetted parts:

Spring:	1.4571
Gaskets ⁽³⁾ :	NBR (optional FKM, EPDM) ⁽⁴⁾
Magnets:	Hard ferrite
Threaded ring:	Brass
Float:	Brass
Housing:	Brass nickel-plated
Fittings (3/4"):	Brass nickel-plated

All other wetted parts: Brass

Stainless steel version

Wetted parts:

Spring:	1.4571
Gaskets ⁽³⁾ :	FKM (optional NBR, EPDM) ⁽⁴⁾
Magnets:	Hard ferrite
Threaded ring:	1.4571
Float:	1.4571
Housing:	1.4571
Fittings (3/4"):	1.4571

All other wetted parts: 1.4571

⁽³⁾ Only with fittings

⁽⁴⁾ Other gaskets available on request