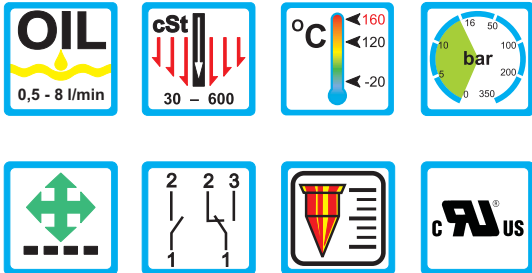


Flow Monitor Flow Indicator

DKG-2



Range of Applications

Operation

- Float measuring principle

Application

- Central lubrication
- Circulation lubrication
- Transformers

Features

- Universal orientation
- Viscosity compensated
- High switch accuracy
- Infinitely variable switchpoint adjustment through user
- Scales are burned into the sight glass
- Threaded connection, special threads on request

Installation information

- The operating instruction for DKG must be observed!
- Download: www.meister-flow.com

Operating Data

Operating pressure max.	16 bar
Pressure drop	0,02 - 0,2 bar
Viscosity range	30 cSt to 600 cSt
Maximum temperature	120 °C (optional 160 °C)
Accuracy	±10 % of full scale

Measuring Ranges

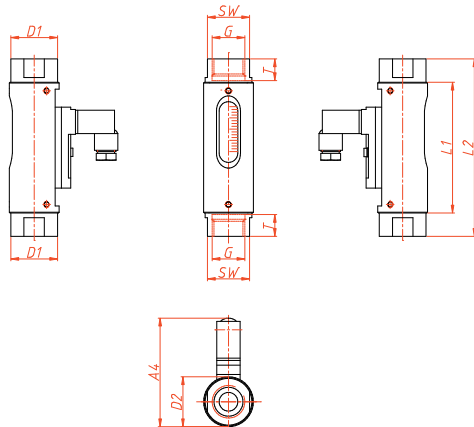
Type	Switch range for oil, density 0,9 kg/dm ³ (1)		
	[l/min]	[gph]	[gpm]
DKG-2/2	0,5 - 1,7	8,0 - 27,0	
DKG-2/3	0,8 - 2,5	13,0 - 40,0	
DKG-2/4	1,3 - 4,0	21,0 - 63,0	
DKG-2/8	2,5 - 8,0	40,0 - 127,0	

(1) The specified data are switch-off points, other switch ranges on request.

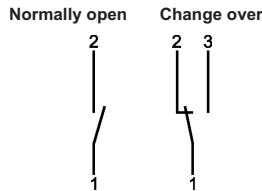


Technical Data

Mechanical drawing



Connection diagram



Electrical Data

Change over ⁽³⁾	250V • 1,5A • 50VA ⁽²⁾
Normally open	230V • 3A • 60VA
Change over M 12x1 (-20 °C - 85 °C)	125V • 1,5A • 50VA ⁽²⁾
Normally open M 12x1 (-20 °C - 85 °C)	125V • 3A • 100VA
Change over SPS ⁽³⁾	250V • 1A • 60VA

Ingress Protection:

IP65: plug connection DIN 43650 Form C or plug connection M 12x1
IP67: 1 m sealed in cable

Output signal

The contact opens / changes when the flow decreases below the set point.

Power supply

Not required (potential free reed contacts)

Plug types

Other plug types oder cable lengths on request

⁽²⁾ Minimum load 3 VA

⁽³⁾ Only with plug connection

Summary of types

Type:	Overall dimensions [mm]											Weight approx. [g]	
	SW	L1	L2	D1	G	T	D2	DN	A1	A2	A3		A4
DKG-2/2													
DKG-2/3													
DKG-2/4	27	84	114	30	1/2"	14	32	15	-	-	-	approx. 70	300
DKG-2/8													

Material

Brass version

Wetted parts:

Sight glass: Duran 50
Spring: 1.4571
Gaskets: FKM
(optional NBR, EPDM) ⁽⁴⁾
Magnets: Hard ferrite

all other wetted parts: Brass nickel-plated

Non wetted parts:

Housing: Aluminium, anodized

Stainless steel version

Wetted parts:

Sight glass: Duran 50
Spring: 1.4571
Gaskets: FKM
(optional NBR, EPDM) ⁽⁴⁾
Magnets: Hard ferrite

all other wetted parts: 1.4571

Non wetted parts:

Housing: Aluminium, anodized

⁽⁴⁾ Other gasket materials on request

DKG-2 0011 01-13 E M

